

Quality and reliability is our tradition.



ISO 9001 EN 29001 BS 5750  
APPROVED BY BVQI

KYORITSU

**NEW**

# Earth Resistance Tester Series are small, lightweight and dust & drip-proof.

**Earth Tester  
MODEL 4102A**



**Digital Earth Tester  
MODEL 4105A**



- MODEL 4102A  
Soft Case Model
- MODEL 4102A-H  
Hard Case Model
- MODEL 4105A  
Soft Case Model
- MODEL 4105A-H  
Hard Case Model



MODEL 4102A-H  
(Hard Case Model)

Dust and drip proof. ( Designed to IEC60529 IP54 )  
 In addition to the facility for precision measurement, test leads for simplified two wire measuring system also supplied as standard accessories. ( unit can be hung from the neck for simplified measurement )  
 Designed to meet IEC61010-1, IEC61557 safety standard.  
 Capable of measuring earth voltage.  
 Automatic warning when resistance of auxiliary earth spikes is in excess of tolerance.  
 Small and lightweight. Shock resistant new case material and taut-band movement.  
 2mA measuring current permits earth resistance tests without tripping earth leakage current breakers in the circuit under test.

## KEW EARTH

# MODEL 4102A·4105A

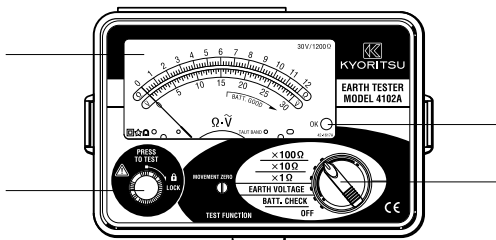
Quality Kyoritsu Products Online at: [www.GlobalTestSupply.com](http://www.GlobalTestSupply.com) sales@GlobalTestSupply.com

KYORITSU ELECTRICAL INSTRUMENTS WORKS, LTD.

# INSTRUMENT LAYOUT

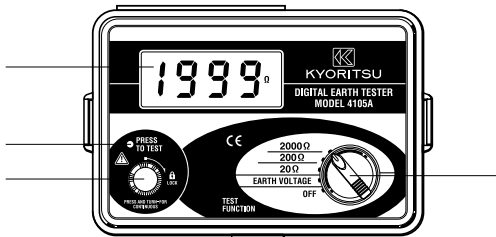
## Earth Tester

MODEL 4102A



## Digital Earth Tester

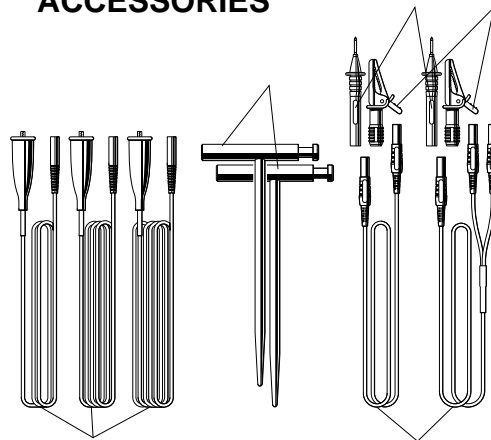
MODEL 4105A



- Scale Board
- OK Lamp
- Press To Test Button
- Range Selector Switch
- LCD Display
- Indication LED With

- Test Leads
- Auxiliary Earth Spikes
- Simplified Measurement Probe
- Safety Alligator Clip
- Test Bar

## ACCESSORIES



MODEL7095    MODEL8032    MODEL7127

## SPECIFICATIONS

|                              | Model 4102A/4102A-H   | Model 4105A/4105A-H   |               |                          |                              |
|------------------------------|---|---|---------------|--------------------------|------------------------------|
| Measurement Ranges           | Earth Resistance:0-12 /0-120 /0-1200<br>Earth Voltage( 50,60Hz )0-30V AC  | Earth Resistance:0-20 /0-200 /0-2000<br>Earth Voltage( 50,60Hz )0-200V AC   |               |                          |                              |
| Accuracy                     | Earth Resistance: ± 3% of full scale<br>Earth Voltage: ± 3% of full scale   | Earth Resistance: ± 2%rdg ± 0.1 ( 20 range )<br>± 2%rdg ± 3dgt( 200 /2000 range )<br>Earth Voltage: ± 1%rdg ± 4dgt  |               |                          |                              |
| Overload Protection          | Earth Resistance:276V AC for 10 seconds<br>across 2 of the 3 terminals<br>Earth Voltage:276V AC for 1 minute  | Earth Resistance:280V AC for 10 seconds<br>across 2 of the 3 terminals<br>Earth Voltage:300V AC for 1 minute  |               |                          |                              |
| Safety Standard              | IEC61010-1 CAT. 300V Pollution Degree 2,IEC61557  |   |               |                          |                              |
| Applicable Standards         | IEC60529 IP54   |   |               |                          |                              |
| Withstand Voltage            | 3700V AC for 1 minute   |   |               |                          |                              |
| Power Source                 | R6F( AA )( 1.5V ) × 6   |   |               |                          |                              |
| Dimensions                   | 105( L ) × 58( W ) × 70( D )mm  |   |               |                          |                              |
| Weight                       | 600g approx.  | 550g approx.  |               |                          |                              |
| Accessories                  | 7095( Test Leads ) × 1set( red-20m,yellow-10m,green-5m )<br>8032( Auxiliary earth spikes ) × 1set<br>7127( Simplified measurement probe ) × 1set<br>R6F( AA ) × 6, Neck strap, Instruction Manual | <table border="1"> <tr> <td>Carrying Case</td> </tr> <tr> <td>Soft Case( 4102A,4105A )</td> </tr> <tr> <td>Hard Case( 4102A-H,4105A-H )</td> </tr> </table> | Carrying Case | Soft Case( 4102A,4105A ) | Hard Case( 4102A-H,4105A-H ) |
| Carrying Case                |   |   |               |                          |                              |
| Soft Case( 4102A,4105A )     |   |   |               |                          |                              |
| Hard Case( 4102A-H,4105A-H ) |   |   |               |                          |                              |



## Safety Warnings

Please read the " Safety Warnings " in the instruction manual supplied with the instrument thoroughly and completely for correct use. Failure to follow the safety rules can cause fire, trouble, electrical shock, etc. Therefore, make sure to operate the instrument on a correct power supply and voltage rating marked on each instrument.

The contents of this catalogue may be subject to change without notice.

DISTRIBUTOR



KYORITSU ELECTRICAL INSTRUMENTS WORKS, LTD.

No. 5-20 Nakane 2-chome, Meguro-ku, Tokyo, 152-0031 Japan  
Phone 81-3-3723-0131 Fax 81-3-3723-0152  
URL <http://www.kew-ltd.co.jp>  
E-mail [info@kew-ltd.co.jp](mailto:info@kew-ltd.co.jp)

Quality Kyoritsu Products Online at: [www.GlobalTestSupply.com](http://www.GlobalTestSupply.com)

[sales@GlobalTestSupply.com](mailto:sales@GlobalTestSupply.com)